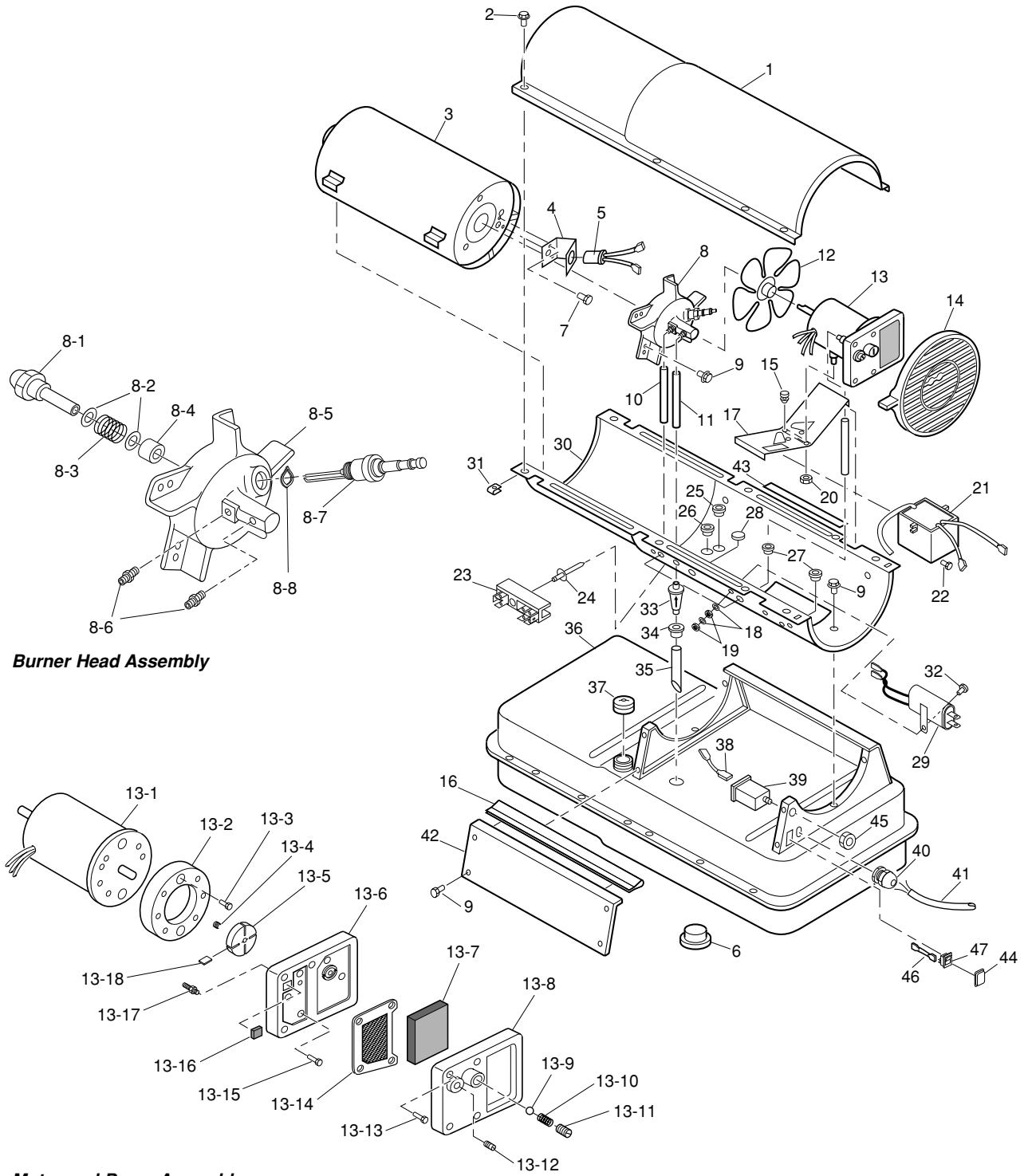


# MASTER DIRECT OIL HEATERS

MODEL 150 CED 44 kW Model

ILLUSTRATED PARTS BREAKDOWN



**Burner Head Assembly**

**Motor and Pump Assembly**

DIRECT OIL HEATERS

**MODEL 150 CED UK 110V 44 kW**

**PARTS LIST**

Key No.	Part Number	Description	Qty.	Key No.	Part Number	Description	Qty.
1	S/R	Upper Shell	1	15	4150.553	Rubber Bumper	2
2	4109.590	Screw/Lockwasher, 1/2"	8	16	4103.850	Edge Liner	1
3	4110.595	Combustion Chamber	1	17	4110.186	Motor Bracket	1
4	4100.659	Photocell Bracket	1	18	4160.613	Lock Washer, #10	2
5	4110.564	Photocell Assembly	1	19	4110.134	Nut, #10-32	3
6	4100.632	Drain Plug	1	20	4108.486	Hex locknut	2
7	4103.529	Screw, #6-32 x 3/8"	2	21	4111.502	Electronic Ignitor110V	1
8	**	Burner Head Assembly	1	22	4108.510	Screw, #10-16 x 3/4"	2
8-1	4103.898	Nozzle	1	23	4106.110	Terminal Board	1
8-2	4100.525	Nozzle Seal Washer	2	24	4110.571	Rivet	1
8-3	4100.533	Nozzle Seal Spring	1	25	4101.112	Bushing	1
8-4	4101.622	Nozzle Seal Sleeve	1	26	4101.112	Bushing	1
8-5	4105.187	Burner Head Body	1	27	4160.646	Bushing	2
8-6	4104.118	Barb Fitting	2	28	4110.070	Button Plug	1
8-7	4101.846	Spark Plug	1	29	4105.287	Power Line RFI Filter	1
8-8	4100.526	Wave Spring Washer	1	30	S/R	Lower Shell	1
9	4110.124	Screw/Lockwasher, 1/2"	13	31	4104.170	Clip Nut	8
10	4104.156	Air Line	1	32	4110.133	Screw, #10-32 x 3/4"	1
11	4110.032	Fuel Line	1	33	4100.630	Fuel filter	1
12	4105.062	Fan	1	34	4100.541	Rubber Bushing	1
13	**	Motor and Pump Assembly	1	35	4110.147	Fuel Line	1
13-1	4110.715	Motor with capacitor 110V	1	36	4110.149	Fuel Tank	1
13-2	4101.532	Pump Body	1	37	4103.891	Fuel Tank Cap	1
13-3	4108.590	Screw, #10-32 x 3/4"	2	38	4110.195	Wire Assembly (red)	1
13-4	4108.635	Insert	1	39	4111.501	Flame-Out Control	1
13-5	4103.441	Rotor	1	40	4150.528	Strain Relief Bushing	1
13-6	4101.325	End Pump Cover	1	41	4111.368	Power Cord UK	1
13-7	4101.358	Intake Filter	1	42	4110.062	Side Cover	1
13-8	4108.643	End Cover	1	43	4110.041	Vinyl Foam Gasket	2
13-9	4108.379	Steel Ball (1/4" Dia.)	1	44	4104.336	Switch Cover	1
13-10	4102.141	Pressure Relief Spring	1	45	4109.592	Hex Nut	1
13-11	4102.133	Adjusting Screw	1	46	4110.164	Wire Assembly	2
13-12	4102.125	Plug	1	47	4106.179	ON/OFF Switch	1
13-13	4108.528	Screw, #10-32 x 1"	4	<b>PARTS AVAILABLE - NOT SHOWN</b>			
13-14	4101.341	Output Filter	1				
13-15	4108.536	Screw, #10-32 x 1 1/8"	6	4105.292	Filler Neck Screen	1	
13-16	4101.333	Lint Filter	1				
13-17	4104.118	Barb Fitting	1				
13-18	4101.666	Blade	4				
14	4103.695	Fan Guard	1				

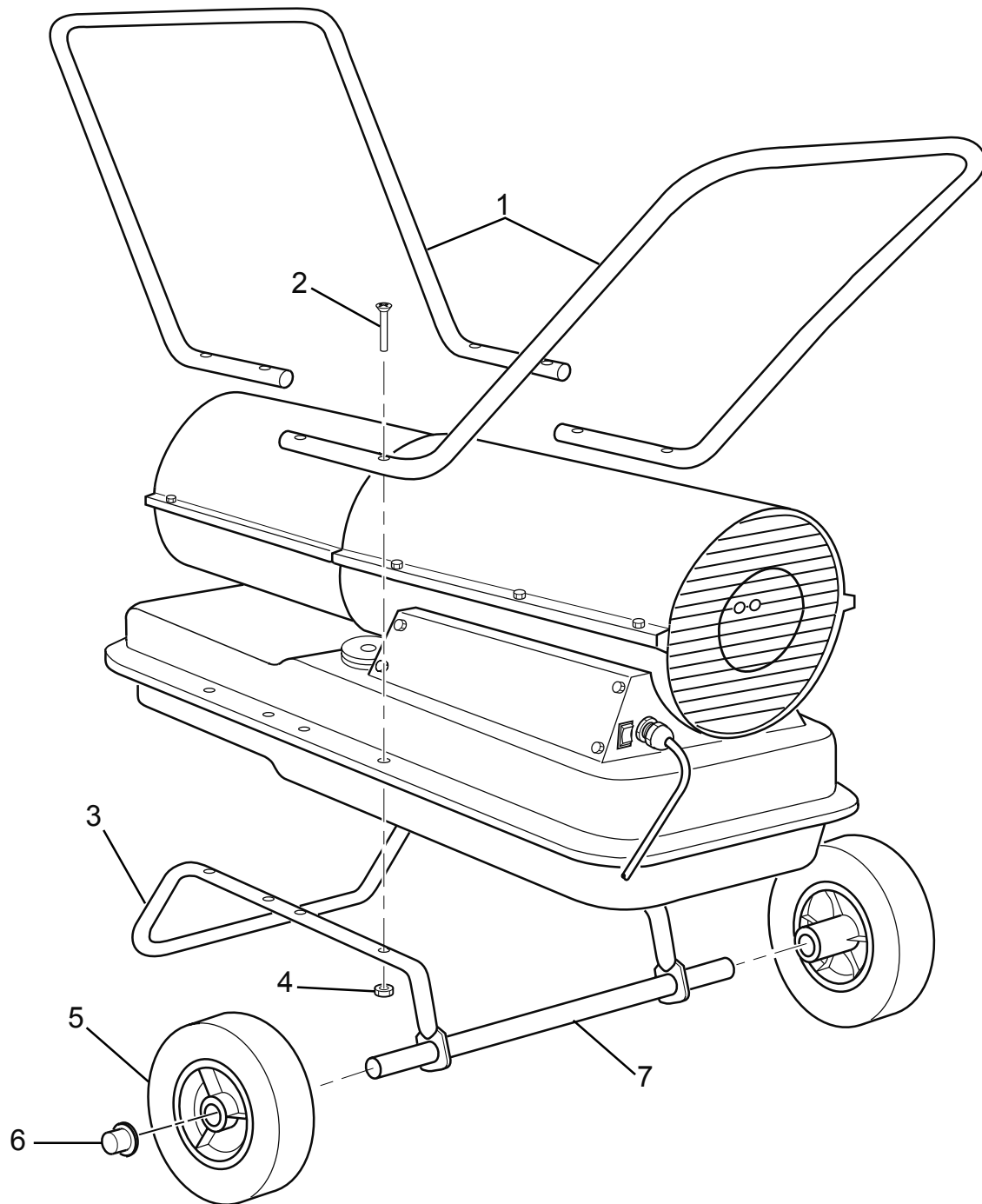
S/R – Parts available on special request only

\*\* Parts not available as an assembly, order parts separately.

# MASTER DIRECT OIL HEATERS - WHEELS AND HANDLES

MODELS 100/150 CEL and 100/150 CED

ILLUSTRATED PARTS BREAKDOWN



## MASTER DIRECT OIL HEATERS - WHEELS AND HANDLES

MODELS 100/150 CEL and 100/150 CED

PARTS LIST

<i>Key No.</i>	<i>Part Number</i>	<i>Description</i>	<i>Qty.</i>
1	4110.077	Handles	2
2	4110.144	Screw	8
3	4110.078	Wheel Support Frame	1
4	4110.143	Hex Nut,	8
5	4110.084	Wheels Kit	1
6	4110.085	Cap Nut	2
7	4110.109	Axle	1