

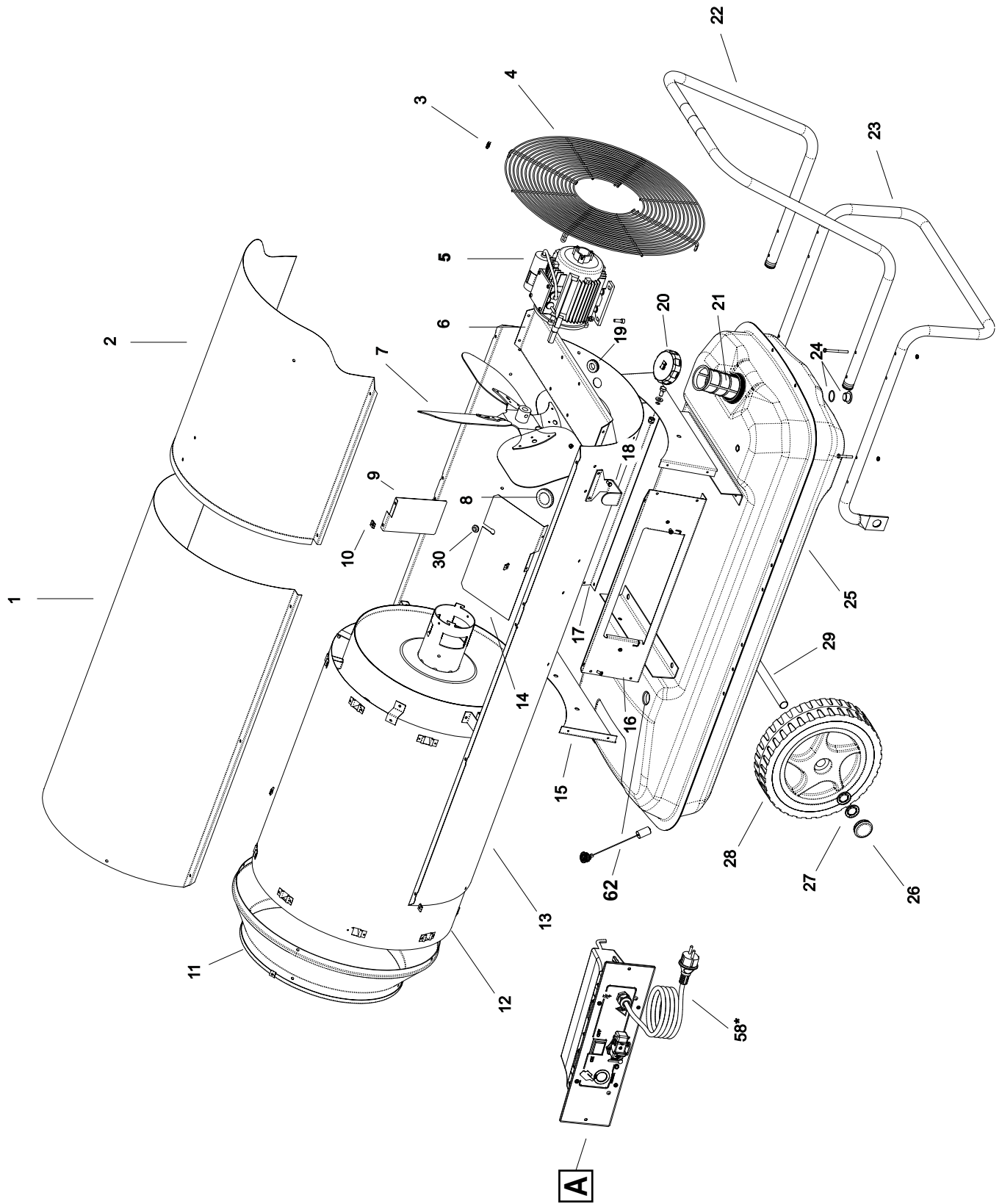
# B 360 MODEL 2013

UNIT 1

ILLUSTRATED PARTS BREAKDOWN

From Serial Number: 09233000649

Edizione 2013  
Rev. A

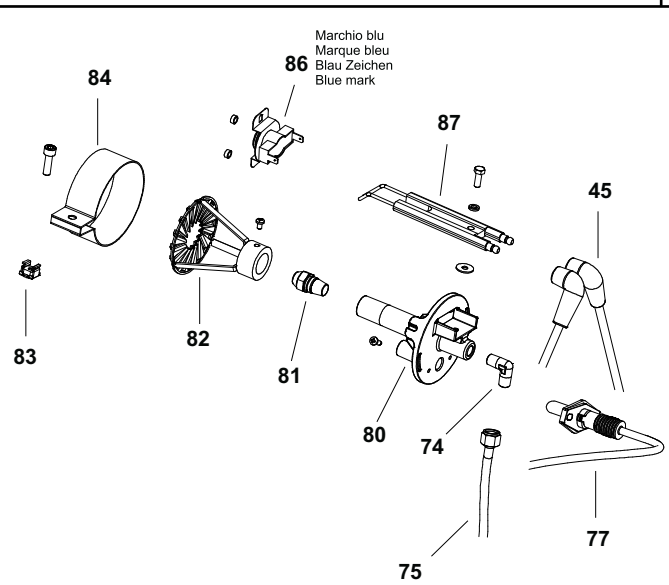
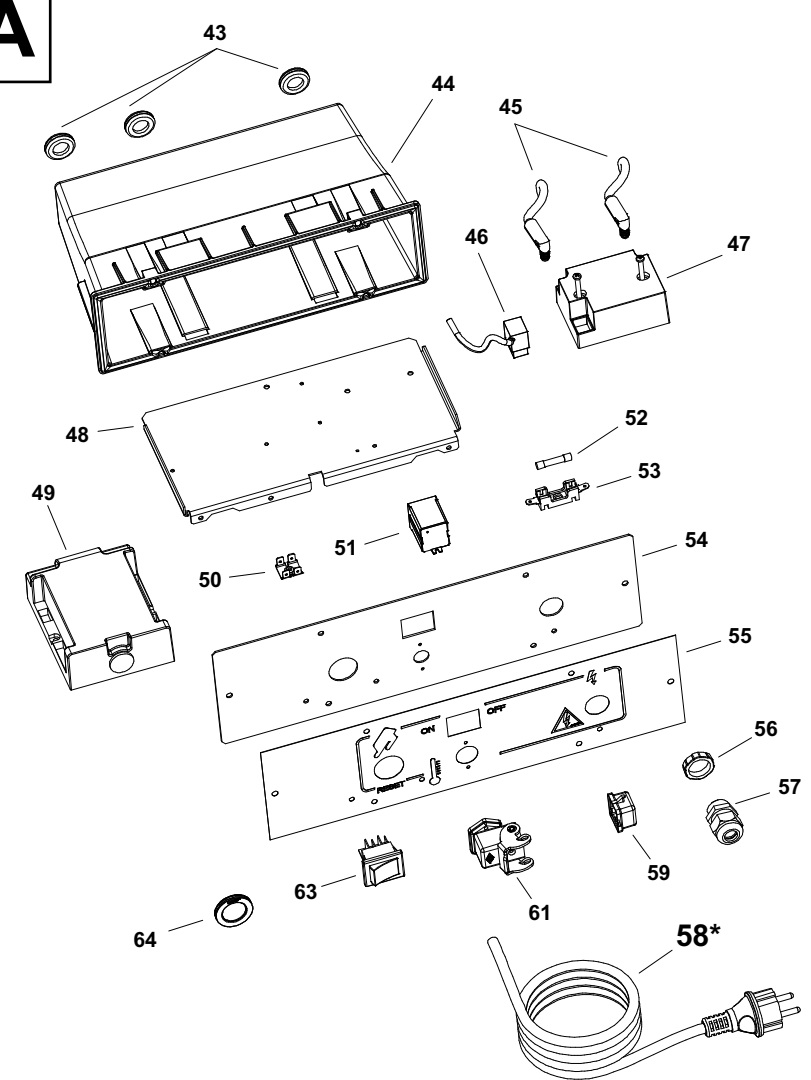
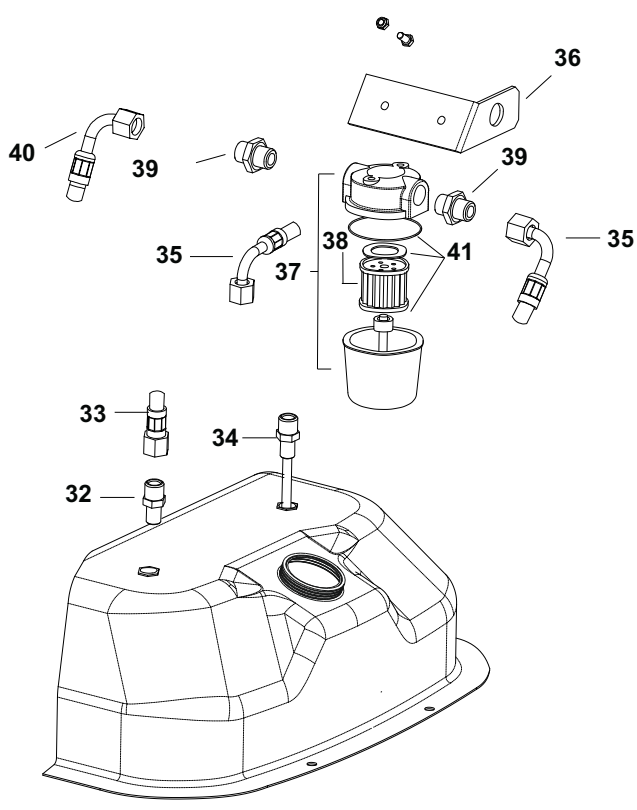


# B 360 MODEL 2013

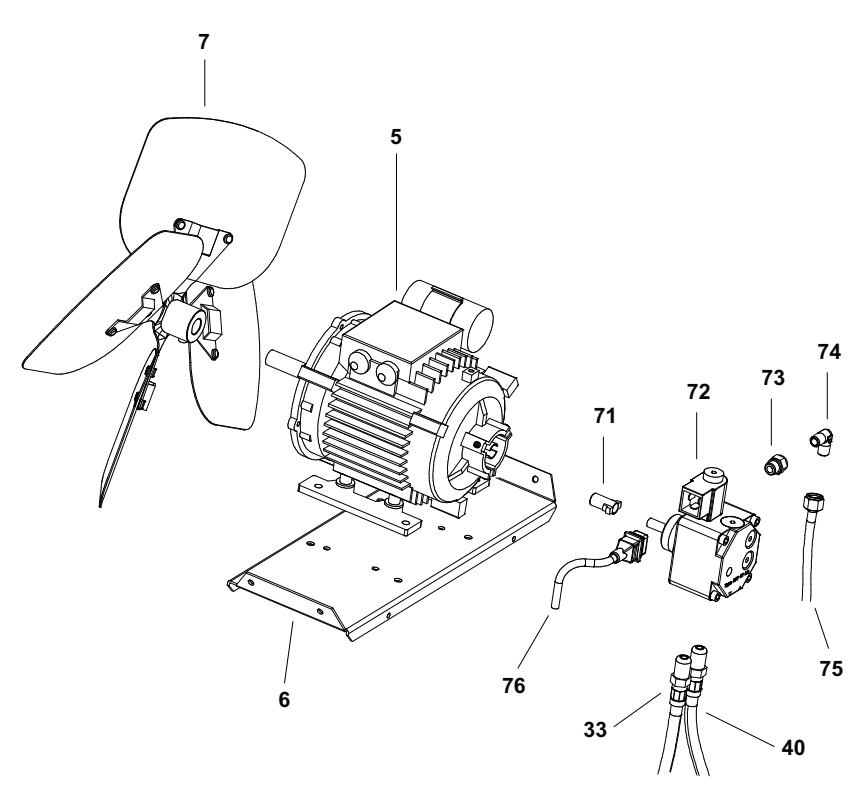
UNIT 2

ILLUSTRATED PARTS BREAKDOWN

**A**



Marchio blu  
Marque bleu  
Blau Zeichen  
Blue mark



<b>Pos.</b>	<b>Code NR</b>	<b>Description</b>
1	4111.604	UPPER BODY
2	4033.263	UPPER BODY MOBILE
3	4111.241	ELASTIC PLATE Ø 4,2
4	4032.465	INLET GRILL
5	4032.431	MOTOR
6	4032.463	MOTOR FLANGE SUPPORT
7	4032.430	FAN
8	4111.056	PROTECTION CABLE
9	4032.518	CENTRAL AIR FLAP
10	4104.170	CLIP NUT
11	4033.223	OUTLET CONE
12	4033.197	COMBUSTION CHAMBER
13	4033.264	LOWER BODY
14	4111.610	AIR FLAP
15	4032.470	BASE
16	4032.466	ELECTR. COMPONENTS DRAWER PANEL
17	4032.468	SIDE PANEL
18	4032.536	POWER CORD HOOK
19	4160.646	PROTECTION CABLE
20	4260.100	TANK CAP
21	4290.083	TANK FILTER
22	4032.480	HANDLE FRAME
23	4032.476	FOOT FRAME
24	4100.632	DRAIG PLUG
25	4033.243	FUEL TANK
26	4111.480	WHEEL PLUG
27	4111.072	WHEEL PLUG Ø 20
28	4110.978	WHEEL
29	4032.478	AXLE
30	4101.151	PROTECTION CABLE
32	4031.068	CONN. STRAIGHT 1/4"
33	4031.062	FUEL PIPE PUMP-TANK
34	4031.067	PIPE CONNECTION 1/4"
35	4031.063	FUEL PIPE TANK-FILTER
36	4032.437	FILTER SUPPORT
37	4031.070	FILTER WITH CARTIDGE 3/8"
38	4031.015	FILTER CARTIDGE
39	4031.064	DOUBLE SCREW
40	4031.061	FUEL PIPE FILTER-PUMP

<b>Pos.</b>	<b>Code NR</b>	<b>Description</b>
41	4111.116	OR KIT FILTER
43	4162.500	PROTECTION CABLE
44	4033.257	PLASTIX BOX
45	4110.490	HT CABLE
46	4033.256	TRANSFORMER POWER CORD
47	4031.541	TRANSFORMER
48	4033.249	CONTROL BASE
49	4033.250	CONTROL BOX
50	4160.639	POP RIVET 4 WAY
51	4111.032	RELAY
52	4111.040	FUSE
53	4033.301	FUSE HOLDER
54	4033.248	FRONTAL CONTROLS PANEL
55	4033.254	PANEL LABEL
56	4100.656	LOCKNUT
57	4150.528	STRAIN RELIEF BUSHING
58	4033.253	POWER CORD SCHUKO
58-A	4033.252	POWER CORD NEW ZEALAND
58-B	4033.302	POWER CORD UK
59	4162.467	CAP FOR THERMOSTAT SOCKET
61	4111.119	THERMOSTAT SOCKET
62	4260.105	FUEL GAUGE
63	4165.204	ROCKER SWITCH
64	4033.251	BOARD BUTTON CAP
71	4111.081	COUPLING
72	4033.122	PUMP
73	4161.501	CONN. STRAIGHT 1/8"
74	4033.198	ELBOW 1/8"
75	4033.186	OIL SUPPLY PIPE
76	4033.087	PUMP POWER CORD
77	4033.246	PHOTOCELL
80	4033.059	BURNER FLANGE
81	4111.143	NOZZLE
82	4033.071	TURBO DISC
83	4032.454	M6 NUT
84	4032.453	AIR REGULATION FLAP
86	4031.047	LIMIT THERMOSTAT
87	4111.826	ELECTRODE