

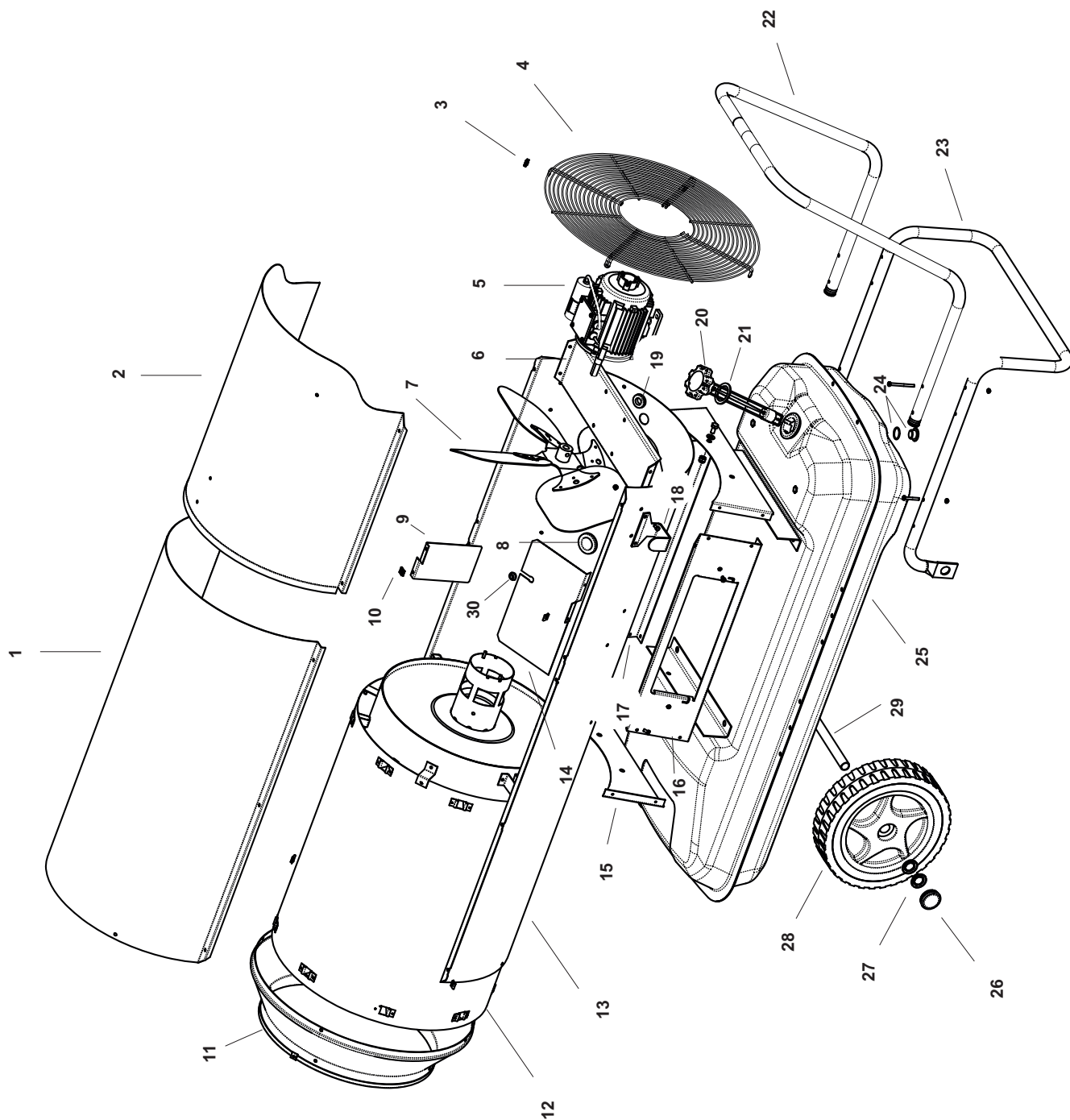
MODEL B360 E 120V/50

UNIT 1

ILLUSTRATED PARTS BREAKDOWN

From Serial Number: 30200001

Edizione 2010
Rev. A



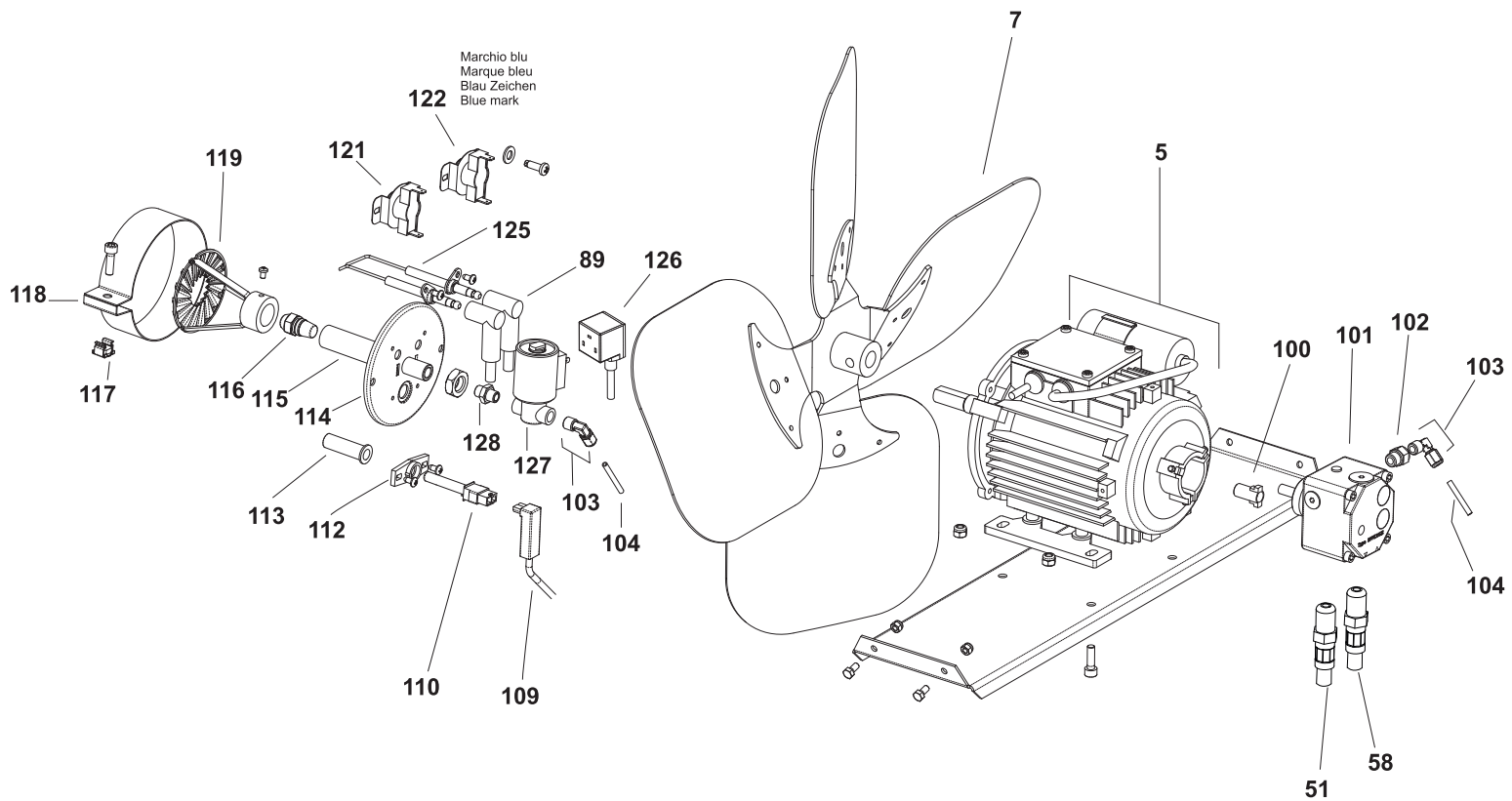
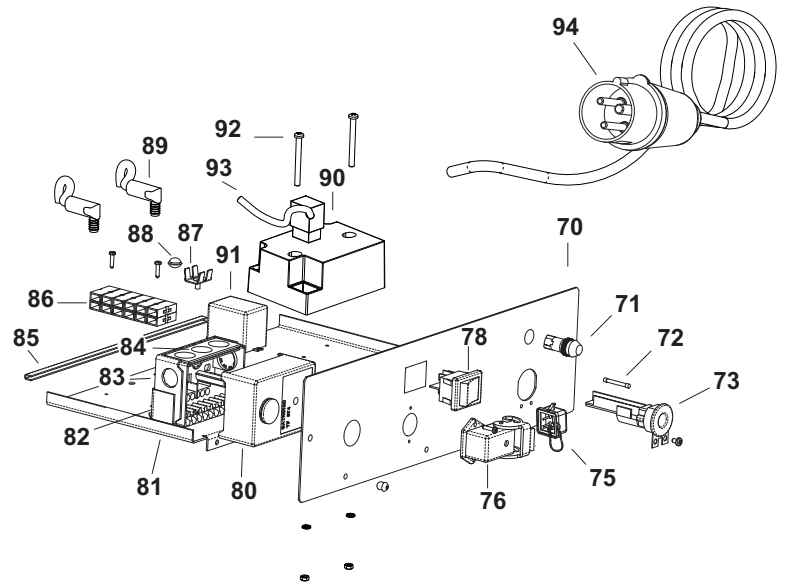
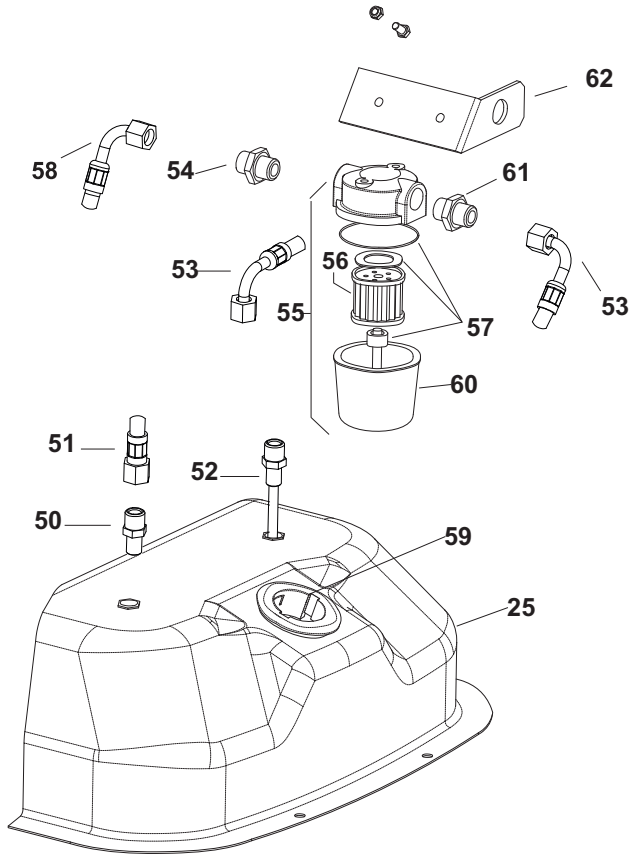
MODEL B360 E 120V/50

UNIT 2

ILLUSTRATED PARTS BREAKDOWN

From Serial Number: 30200001

Edizione 2010
Rev. A



MODEL B 360 UK 110V

Pos.	Code NR	Description
1	4111.604	UPPER BODY
2	4032.458	UPPER BODY MOBILE
3	4111.241	ELASTIC PLATE
4	4032.465	INLET GRILLE
5	4032.498	MOTOR 4P 120V/60 IP44
6	4032.463	MOTOR FLANGE SUPPORT
7	4032.430	FAN
8	4111.056	PROTECTION CABLE
9	4032.518	CENTRAL AIR FLAP
10	4104.170	CLIP NUT
11	4032.452	OUTLET CONE
12	4111.638	COMBUSTION CHAMBER
13	4032.460	LOWER BODY
14	4032.462	AIR FLAP
15	4032.470	BASE
16	4032.466	ELECTR. COMPONENTS DRAWER PANEL
17	4032.468	SIDE PANEL
18	4032.536	POWER CORD HOOK
19	4160.646	PROTECTION CABLE
20	4032.475	FUEL LEVEL PROBE
21	4032.537	FUEL LEVEL PROBE GASKET
22	4032.480	HANDLE FRAME
23	4032.476	FOOT FRAME
24	4100.632	DRAIN PLUG
25	4032.439	FUEL TANK
26	4111.480	WHEEL PLUG
27	4111.072	WHEEL HOLDER
28	4110.978	WHEEL
29	4032.478	AXLE
30	4101.151	PROTECTION CABLE
50	4031.068	CONN. STRAIGHT 1/4"
51	4031.062	FUEL PIPE PUMP-TANK
52	4031.067	PIPE CONNECTION 1/4"
53	4031.063	FUEL PIPE TANK-FILTER
54	4117.049	DOUBLE SCREW
55	4031.070	FILTER WITH CARTIDGE 3/8"
56	4031.015	FILTER CARTRIDGE
57	4111.116	OR KIT FILTER
58	4031.061	FUEL PIPE FILTER-PUMP
59	4032.472	NECK PLASTIC FILLER
60	4031.180	FILTER HOUSING
61	4031.064	DOUBLE SCREW
62	4032.437	FILTER SUPPORT
70	4032.446	ELECTRIC. COMPONENTS DRAWER
71	4117.058	PILOT LAMP
72	4111.040	FUSE (6,3x32) 10 A
73	4111.038	CABLE FASTENER

MODEL B 360 UK 110V

Pos.	Code NR	Description
75	4162.467	CAP FOR THERMOSTAT SOCKET
76	4111.119	THERMOSTAT SOCKET
78	4160.637	SWITCH 16A
80	4117.173	CONTROL BOX SATRONIC
81	4032.448	ELECTR. COMPONENTS BASE
82	4032.499	CONTROL BOX SUPPORT
83	4117.170	CONTROL BOX BASE
84	4110.967	PG PLATE
85	4110.155	EDGE LINER
86	4111.033	TERMINAL BOARD
87	4160.639	POP RIVET WITH TERMIN. 4 WAY
88	4032.450	PLASTIC PIN
89	4110.490	H.T. CABLE
90	4031.393	TRANSFORMER
91	4031.514	RELAY FINDER
92	4160.421	M4 SCREW
93	4110.491	TRANSFORMER POWER CORD
94	4031.044	POWER CORD 3MT
100	4111.081	COUPLING SIMEL
101	4032.432	PUMP DANFOSS
102	4161.501	NUT FOR BICONE 1/8
103	4161.140	CONNECTION 90° 1/8"
104	4032.433	OIL SUPPLY PIPE
109	4110.970	PHOTOCELL CONN.CABLE
110	4110.966	PHOTOCELL
112	4111.076	PHOTOCELL BLOCK BRACKET
113	4032.406	PHOTOCELL SUPPORT
114	4032.405	BURNER FLANGE
115	4032.403	NOZZLE SUPPORT
116	4111.143	NOZZLE 2,00 GPH 80° H
117	4032.454	M6 NUT
118	4032.453	AIR REGULATION FLAP
119	4032.570	TURBO DISC
121	4031.045	FAN THERMOSTAT
122	4031.047	LIMIT THERMOSTAT
125	4031.095	ELECTRODE
126	4032.110	POWER CORD SOLENOIDE SPOOL
127	4031.046	SOLENOID SPOOL 120V/50Hz
128	4160.968	CONN. STRAIGHT 1/8"