

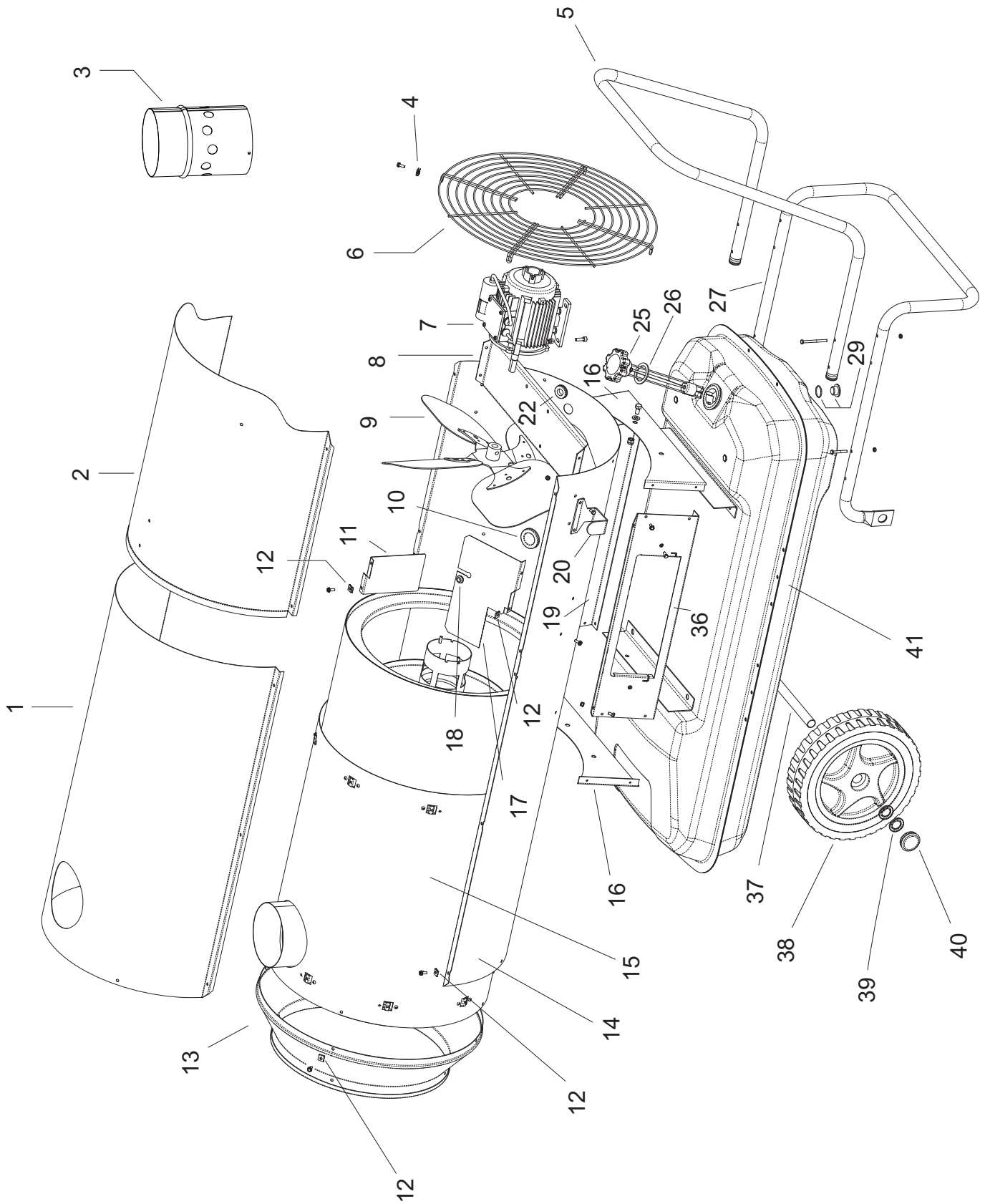
MODEL BV290 E 120V/50

UNIT 1

ILLUSTRATED PARTS BREAKDOWN

From Serial Number: 30200001

Edizione 2010
Rev.A



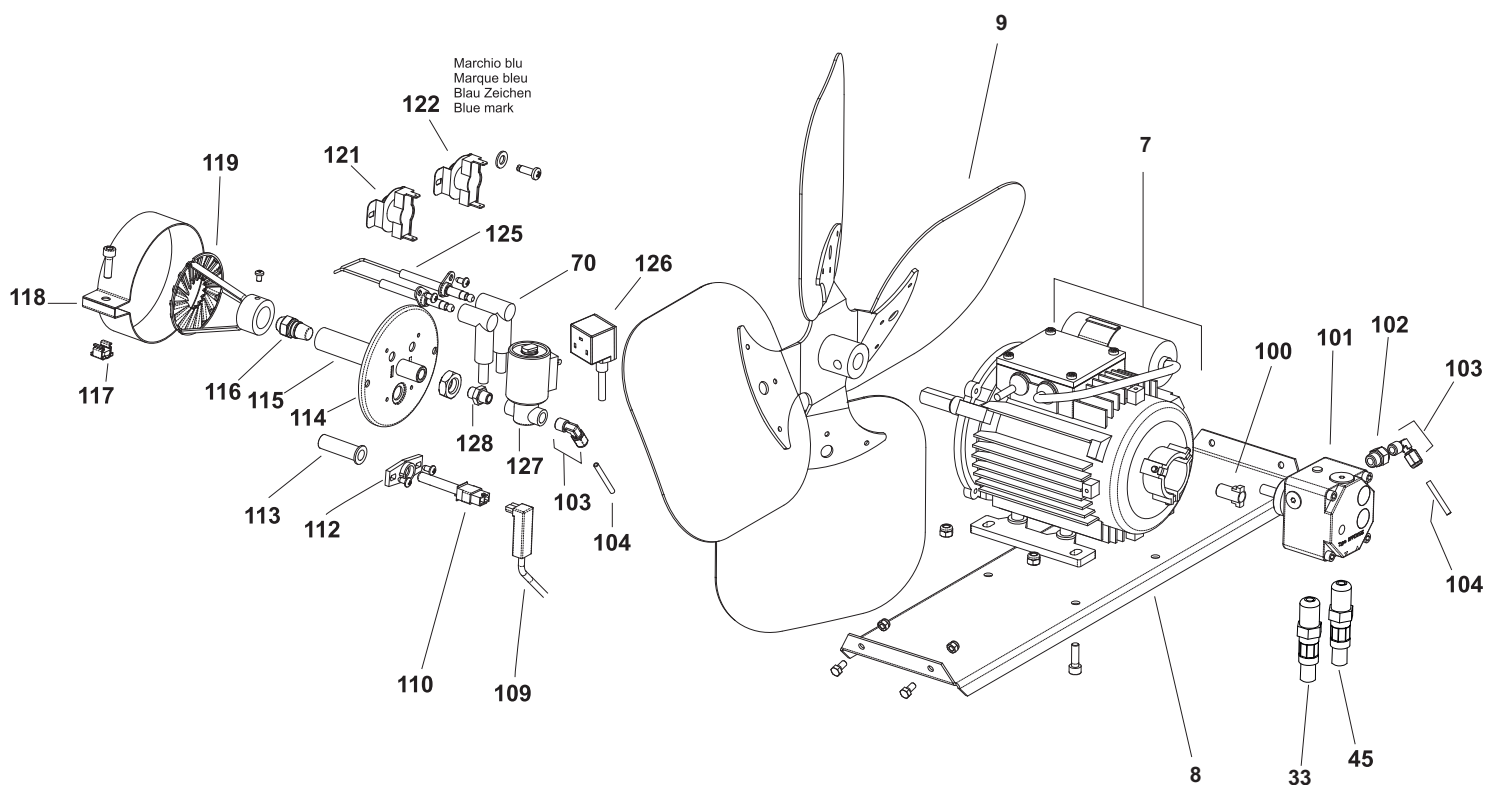
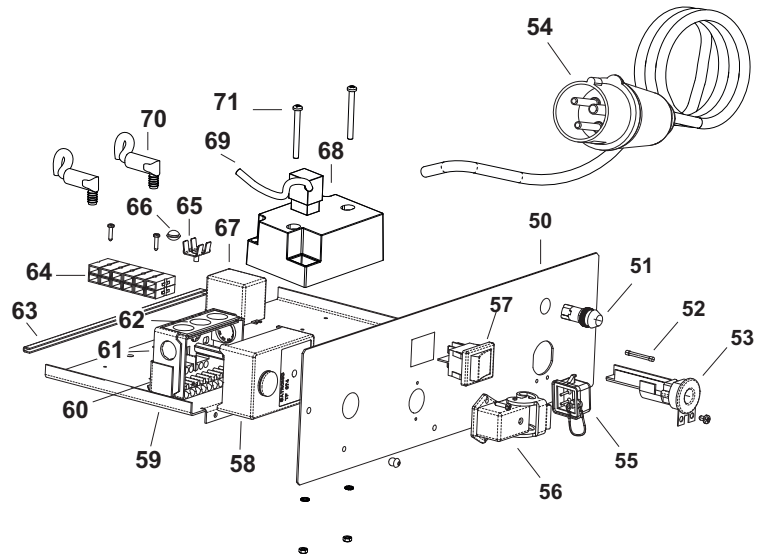
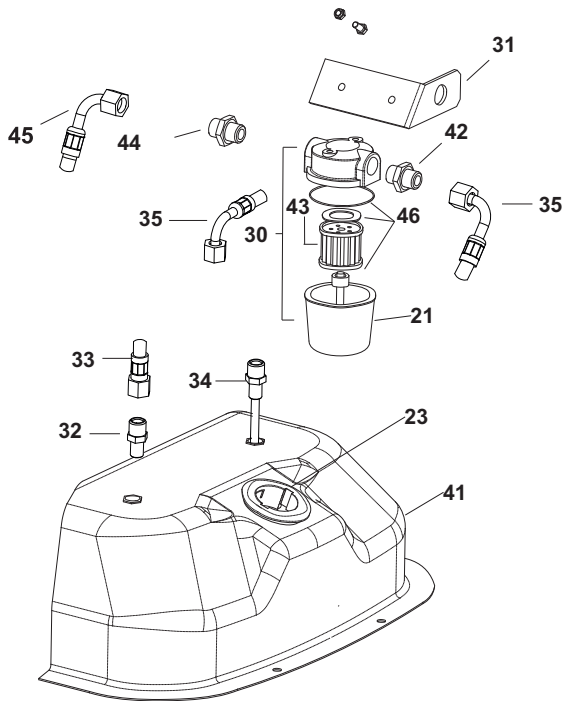
MODEL BV290 E 120V/50

UNIT 2

ILLUSTRATED PARTS BREAKDOWN

From Serial Number: 30200001

Edizione 2010
Rev.A



MODEL BV 290 UK 110V

Pos.	Code NR	Description
1	4032.456	UPPER BODY
2	4032.458	UPPER BODY MOBILE
3	4032.534	CHIMNEY
4	4111.241	ELASTIC PLATE
5	4032.480	HANDLE FRAME
6	4032.465	INLET GRILL
7	4032.498	MOTOR
8	4032.716	MOTOR FLANGE SUPPORT
9	4032.430	FAN
10	4111.056	PROTECTION CABLE
11	4032.518	CENTRAL AIR FLAP
12	4104.170	CLIP NUT
13	4032.452	OUTLET CONE
14	4032.460	LOWER BODY
15	4032.408	COMBUSTION CHAMBER
16	4032.470	BASE
17	4032.462	AIR FLAP
18	4101.151	PROTECTION CABLE
19	4032.468	SIDE PANEL
20	4032.536	POWER CORD HOOK
21	4031.180	FILTER HOUSING
22	4160.646	PROTECTION CABLE
23	4032.472	NECK PLASTIC FILLER
25	4032.475	FUEL LEVEL PROBE
26	4032.537	TANK PLUG SEAL
27	4032.476	FOOT FRAME
29	4100.632	DRAIN PLUG
30	4031.070	FILTER WITH CARTIDGE 3/8"
31	4032.437	FILTER SUPPORT
32	4031.068	CONN. STRAIGHT 1/4"
33	4031.062	FUEL PIPE PUMP-TANK
34	4031.067	PIPE CONNECTION 1/4"
35	4031.063	FUEL PIPE TANK-FILTER
36	4032.466	ELECTR. COMPONENTS DRAWER PANEL
37	4032.478	AXLE
38	4110.978	WHEEL
39	4111.072	WHEEL HOLDER
40	4111.480	WHEEL PLUG
41	4032.439	FUEL TANK
42	4031.064	DOUBLE SCREW
43	4031.015	FILTER CARTRIDGE
44	4117.049	DOUBLE SCREW
45	4031.061	FUEL PIPE FILTER-PUMP
46	4111.116	OR KIT FILTER
50	4032.446	ELECTRIC. COMPONENTS DRAWER
51	4117.058	PILOT LAMP
52	4111.040	FUSE (6,3x32) 10 A

MODEL BV 290 UK 110V

Pos.	Code NR	Description
53	4111.038	CABLE FASTENER
54	4031.044	POWER CORD
55	4162.467	CAP FOR THERMOSTAT SOCKET
56	4111.119	THERMOSTAT SOCKET
57	4160.637	SWITCH
58	4117.173	CONTROL BOX SATRONIC
59	4032.448	ELECTR. COMPONENTS BASE
60	4032.499	CONTROL BOX SUPPORT
61	4117.170	CONTROL BOX BASE
62	4110.967	SUPPORT PG PHOTOCELL
63	4110.155	EDGE LINER
64	4111.033	TERMINAL BOARD
65	4160.639	POP RIVET WITH TERMIN. 4 WAY
66	4032.450	PLASTIC PIN
67	4031.514	RELAY FINDER
68	4031.393	TRANSFORMER
69	4110.491	TRANSFORMER POWER CORD
70	4110.490	H.T. CABLE
71	4160.421	SCREW M4
100	4111.081	COUPLING SIMEL
101	4032.432	PUMP DANFOSS
102	4161.501	NUT FOR BICONE 1/8
103	4161.140	ELBOW 1/8"
104	4032.433	OIL SUPPLY PIPE
109	4110.970	PHOTOCELL CONN.CABLE
110	4110.966	PHOTOCELL
112	4111.076	PHOTOCELL BLOCK BRACKET
113	4032.406	PHOTOCELL SUPPORT
114	4032.405	BURNER FLANGE
115	4032.403	NOZZLE SUPPORT
116	4031.030	NOZZLE 1,50 GPH 80°S
117	4032.454	NUT M6
118	4032.453	AIR REGULATION FLAP
119	4032.570	TURBO DISC
121	4031.045	FAN THERMOSTAT
122	4031.047	LIMIT THERMOSTAT
125	4031.095	ELECTRODE
126	4032.110	POWER CORD SOLENOIDE SPOOL
127	4031.046	SOLENOID SPOOL 120V/60Hz
128	4160.968	CONN. STRAIGHT 1/8"