



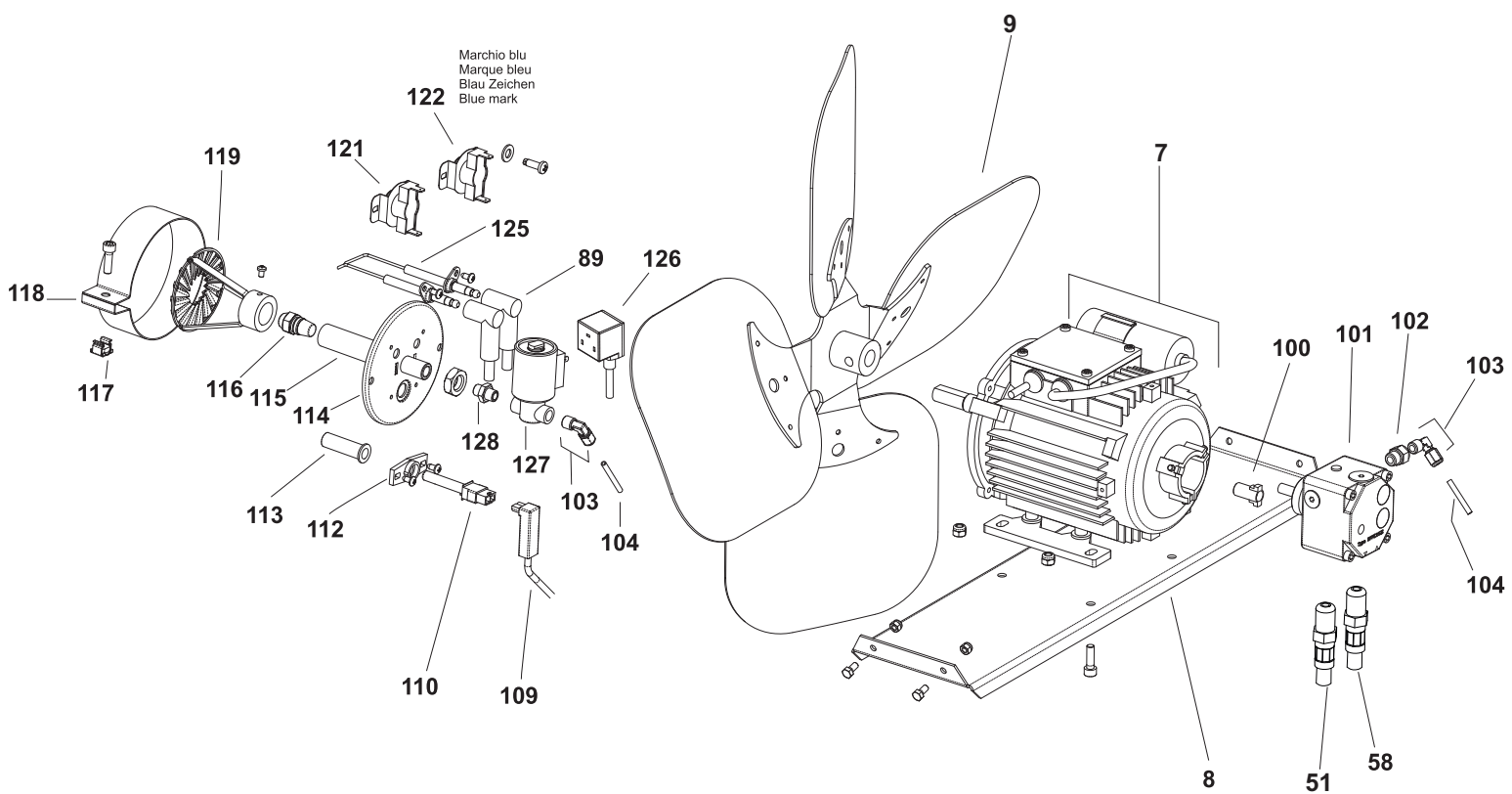
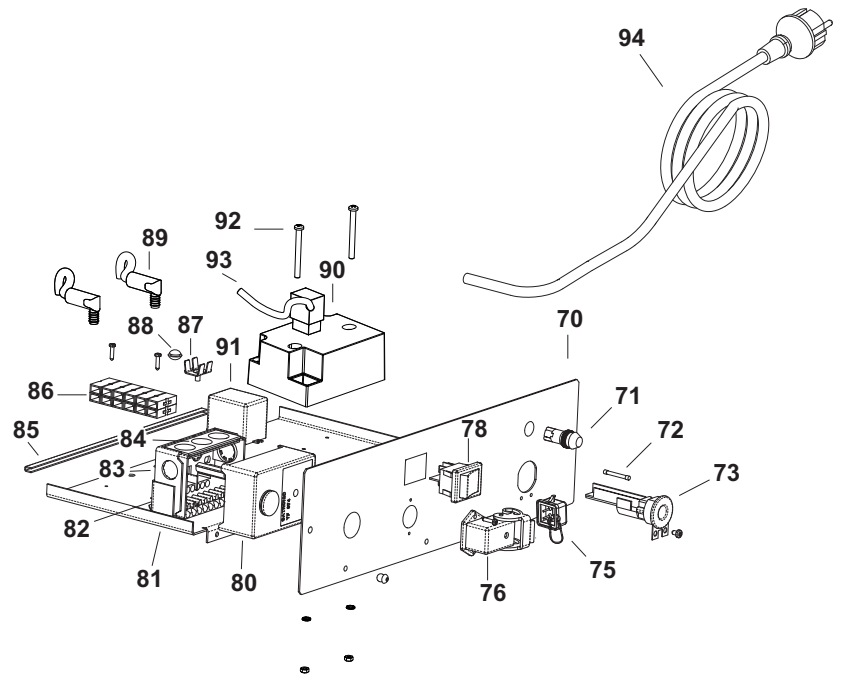
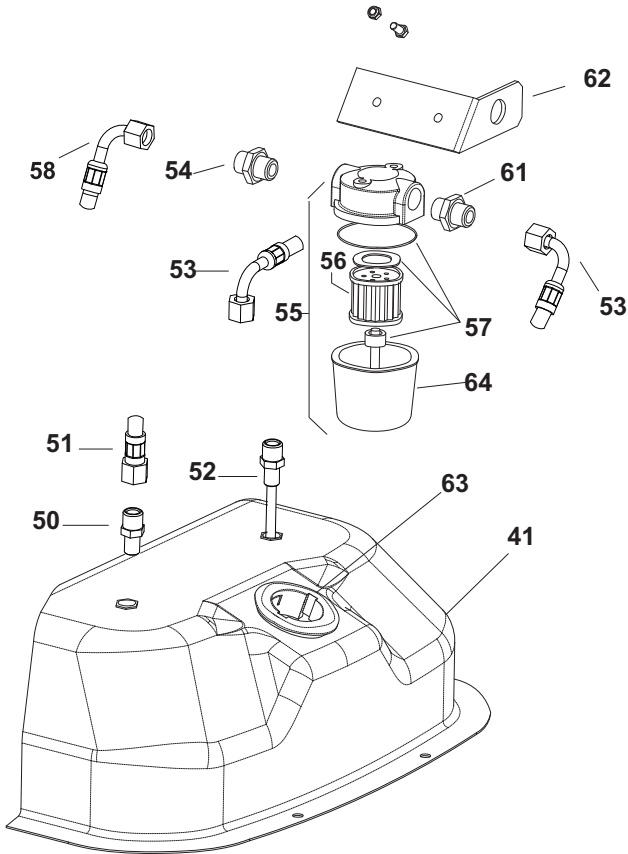
# MODEL BV290 E

UNIT 2

ILLUSTRATED PARTS BREAKDOWN

From Serial Number: 30200147

Edizione 2010  
Rev.A



**MODEL BV 290**

<b>Pos.</b>	<b>Code NR</b>	<b>Description</b>
1	4032.456	UPPER BODY
2	4032.458	UPPER BODY MOBILE
3	4032.534	CHIMNEY
4	4111.241	ELASTIC PLATE
5	4032.480	HANDLE FRAME
6	4032.465	INLET GRILL
7	4032.431	MOTOR
8	4032.463	MOTOR FLANGE SUPPORT
9	4032.430	FAN
10	4111.056	PROTECTION CABLE
11	4032.518	CENTRAL AIR FLAP
12	4104.170	CLIP NUT
13	4032.452	OUTLET CONE
14	4032.460	LOWER BODY
15	4032.408	COMBUSTION CHAMBER
16	4032.470	BASE
17	4032.462	AIR FLAP
18	4101.151	PROTECTION CABLE
19	4032.468	SIDE PANEL
20	4032.536	POER CORD HOOK
22	4160.646	PROTECTION CABLE
25	4032.475	FUEL LEVEL PROBE
26	4032.537	TANK PLUG SEAL
27	4032.476	FOOT FRAME
29	4100.632	DRAIN PLUG
36	4032.466	ELECTR. COMPONENTS DRAWER PANEL
37	4032.478	AXLE
38	4110.978	WHEEL
39	4111.072	WHEEL HOLDER
40	4111.480	WHEEL PLUG
41	4032.439	FUEL TANK
50	4031.068	CONN. STRAIGHT 1/4"
51	4031.062	FUEL PIPE PUMP-TANK
52	4031.067	PIPE CONNECTION 1/4"
53	4031.063	FUEL PIPE TANK-FILTER
54	4117.049	DOUBLE SCREW
55	4031.070	FILTER WITH CARTIDGE 3/8"
56	4031.015	FILTER CARTRIDGE
57	4111.116	OR KIT FILTER
58	4031.061	FUEL PIPE FILTER-PUMP
61	4031.064	DOUBLE SCREW
62	4032.437	FILTER SUPPORT
63	4032.472	NECK PLASTIC FILLER
64	4031.180	FILTER HOUSING
70	4032.446	ELECTRIC. COMPONENTS DRAWER
71	4117.058	PILOT LAMP
72	4111.040	FUSE (6,3x32) 10 A

**MODEL BV 290**

<b>Pos.</b>	<b>Code NR</b>	<b>Description</b>
73	4111.038	CABLE FASTENER
75	4162.467	CAP FOR THERMOSTAT SOCKET
76	4111.119	THERMOSTAT SOCKET
78	4160.637	SWITCH
80	4110.968	CONTROL BOX SATRONIC
81	4032.448	ELECTR. COMPONENTS BASE
82	4032.499	CONTROL BOX SUPPORT
83	4110.969	CONTROL BOX BASE
84	4110.967	SUPPORT PG PHOTOCELL
85	4110.155	EDGE LINER
86	4111.033	TERMINAL BOARD
87	4160.639	POP RIVET WITH TERMIN. 4 WAY
88	4032.450	PLASTIC PIN
89	4110.490	H.T. CABLE
90	4031.541	TRANSFORMER
91	4111.032	RELAY FINDER
92	4160.421	M4 SCREW
93	4110.491	TRANSFORMER POWER CORD
94	4111.153	POWER CORD
100	4111.081	COUPLING SIMEL
101	4032.432	PUMP DANFOSS
102	4161.501	NUT FOR BICONE 1/8
103	4161.140	ELBOW 1/8"
104	4032.433	OIL SUPPLY PIPE
109	4110.970	PHOTOCELL CONN.CABLE
110	4110.966	PHOTOCELL
112	4111.076	PHOTOCELL BLOCK BRACKET
113	4032.406	PHOTOCELL SUPPORT
114	4032.405	BURNER FLANGE
115	4032.403	NOZZLE SUPPORT
116	4031.030	NOZZLE 1,50 GPH 80°S
117	4032.454	M6 NUT
118	4032.453	AIR REGULATION FLAP
119	4032.570	TURBO DISC
121	4031.045	FAN THERMOSTAT
122	4031.047	LIMIT THERMOSTAT
125	4031.095	ELECTRODE
126	4032.110	POWER CORD SOLENOIDE SPOOL
127	4102.535	SOLENOID SPOOL 230V/50Hz
128	4160.968	CONN. STRAIGHT 1/8"