

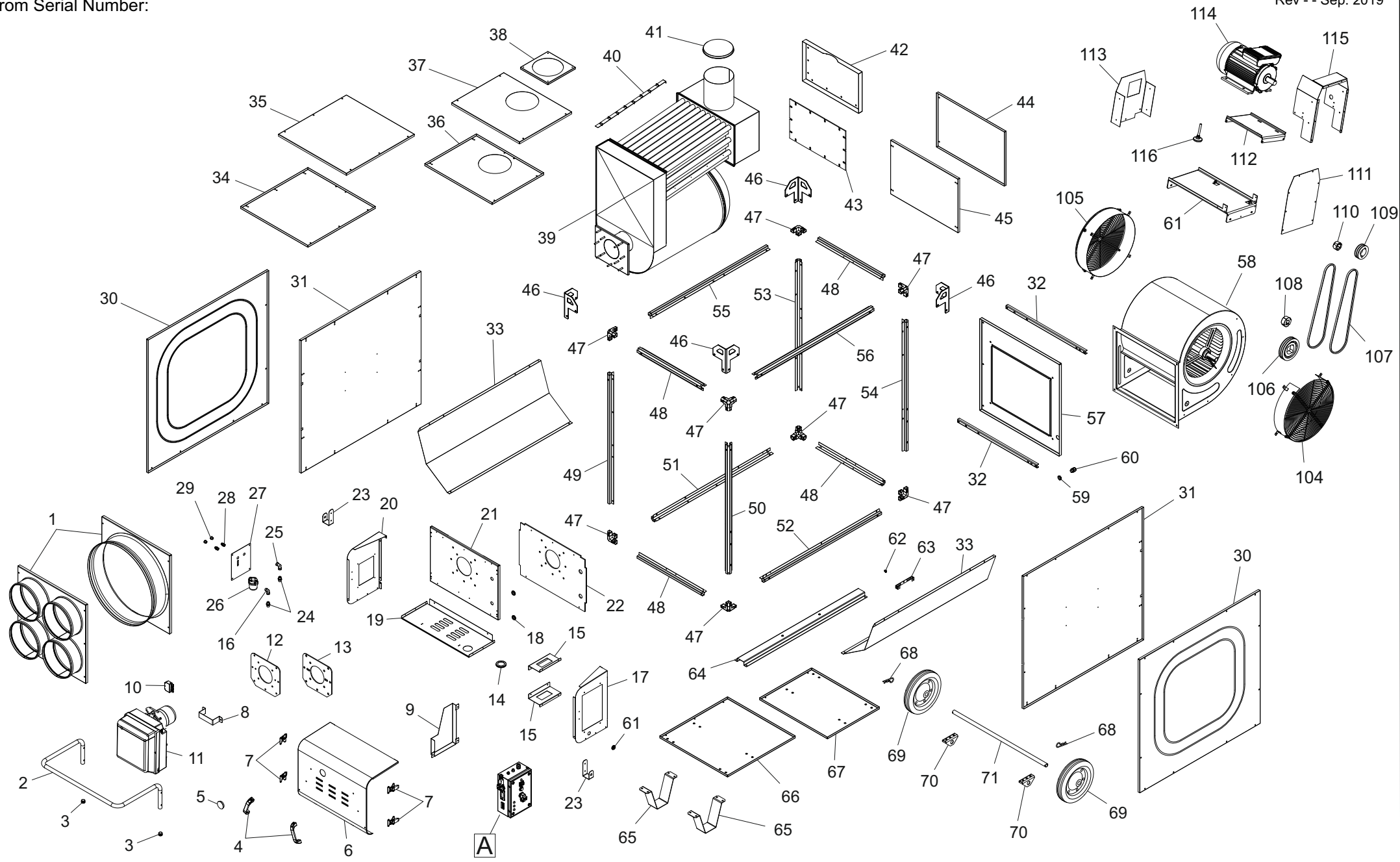
MODEL BV 471SR

UNIT 1

ILLUSTRATED PARTS BREAKDOWN

Rev -- Sep. 2019

From Serial Number:

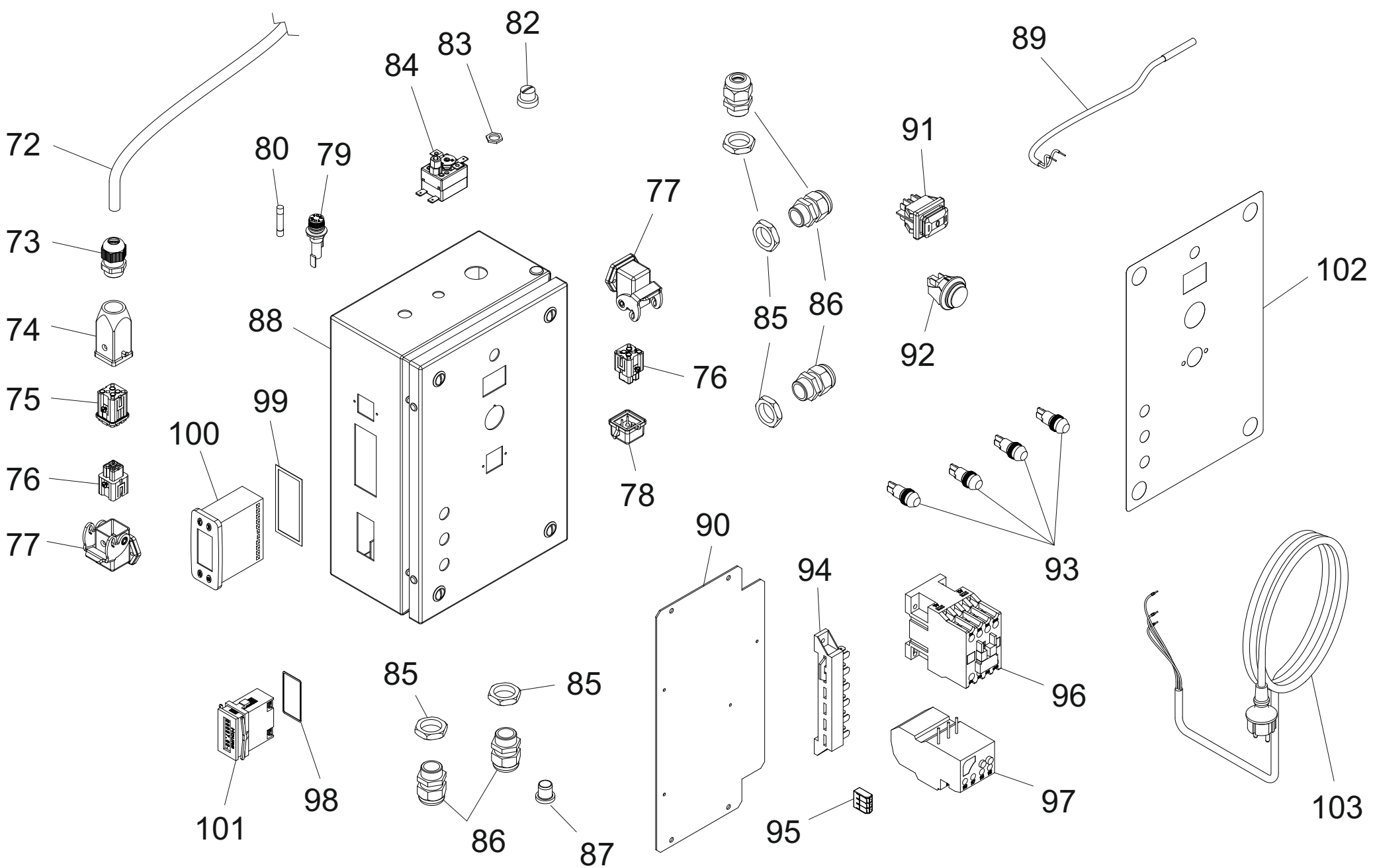


A

MODEL BV 471SR

UNIT 2

ILLUSTRATED PARTS BREAKDOWN



MODEL BV 471SR

UNIT 3

PARTS LIST

N°	CODE	DESCRIPTION
1	4240.553	4 WAY OUTLET
	4240.825	1 WAY OUTLET
2	4240.791	HANDLE
3	4111.057	HANDLE CAP
4	4162.934	BOX COVER HANDLE
5	4240.476	TRANSPARENT CAP
6	4240.768	BURNER BOX COVER
7	4240.772	COVER CLAMP
8	4240..591	BURNER STABILIZATOR
9	4240.777	DOCUMENTS BRACKET
10	4614.001	BURNER PLUG
11	4514.302	BURNER
12	4514.126	BURNER METAL PLATE
13	4514.605	BURNER INSULATION PLATE
14	4240.475	RUBBER CAP
15	4240.770	CONTROL BOX BRACKET
16	4031.581	90° CONNECTION
17	4240.766	RIGHT SIDE BURNER PANEL
18	4240.273	CABLE RUBBER PROTECTION
19	4240.761	LOWER BURNER PANEL
20	4240.764	LEFT SIDE BURNER PANEL
21	4240.759	EXTERNAL BURNER PANEL
22	4240.763	INSULATION BURNER PANEL
23	4240.717	WIRE HOOK
24	4117.757	STRAIGHT CONNECTION
25	4240.590	90° CONNECTION
26	4033.090	FUEL FILTER
27	4240.402	FUEL FILTER PANEL
28	4034.378	STRAIGHT CONNECTION
29	4034.257	METAL CAP
30	4240.816	EXTERNAL SIDE PANEL
31	4240.496	INTERNAL SIDE PANEL
32	4240.730	REINFORCEMENT BRACKET
33	4240.465	INTERNAL INSULATION PANEL
34	4240.506	INTERNAL UPPER BIG PANEL
35	4240.482	EXTERNAL UPPER BIG PANEL
36	4240.513	INTERNAL CHIMNEY PANEL
37	4240.480	EXTERNAL CHIMNEY PANEL
38	4240.436	REGULATION CHIMNEY PANEL
39	4240.501	COMBUSTION CHAMBER
40	4514.105	TURBULIZATOR
41	4240.477	CHIMNEY CAP
42	4240.503	EXTERNAL CHAMBER PANEL
43	4240.504	INSULATION CHAMBER PANEL
44	4240.462	EXTERNAL BACK PANEL
45	4240.499	INTERNAL BACK PANEL
46	4240.505	LIFTING BRACKET
47	4240.191	CHASSIS CORNER
48	4240.453	SMALL HORIZONTAL PROFILE
49	4240.798	FRONT LEFT PROFILE
50	4240.796	FRONT RIGHT PROFILE
51	4240.814	LOWER LEFT PROFILE
52	4240.812	LOWER RIGHT PROFILE
53	4240.444	BACK LEFT PROFILE
54	4240.427	BACK RIGHT PROFILE
55	4240.448	UPPER LEFT PROFILE
56	4240.478	UPPER RIGHT PROFILE

MODEL BV 471SR

UNIT 3

PARTS LIST

N°	CODE	DESCRIPTION
57	4240.741	INTERNAL MOTOR PANEL
58	4240.498	MOTOR-FAN
59	4100.656	NUT
60	4150.528	STRAIN RELIEF
61	4514.607	WIRE PROTECTION
62	4510.855	SENSOR CLIP
63	4240.438	SENSOR BRACKET
64	4240.467	CHAMBER SUPPORTING BEAM
65	4240.494	FOOT
66	4240.486	LOWER BIG PANEL
67	4240.488	LOWER SMALL PANEL
68	4514.845	WHEEL CLIP
69	4240.017	WHEEL
70	4240.424	AXLE BRACKET
71	4240.019	WHEELS AXLE
72	4240.407	BURNER WIRE
73	4160.651	STRAIN RELIEF
74	4160.648	MOBILE COVER
75	4161.401	MALE PLUG
76	4161.400	FEMALE SOCKET
77	4160.647	90° COVER
78	4162.970	THERMOSTAT CAP
79	4240.577	FUSE HOLDER
80	4117.057	FUSE
81	4240.413	LATERAL LABEL
82	4033.905	LIMIT THERMOSTAT CAP
83	4033.906	LIMIT THERMOSTAT NUT
84	4240.290	LIMIT THERMOSTAT
85	4100.656	NUT
86	4150.528	STRAIN RELIEF
87	4260.288	CAP
88	4240.757	METAL BOX
89	4240.406	TEMPERATURE SENSOR
90	4240.758	COMPONENTS BRACKET
91	4240.414	SWITCH
92	4240.599	BYPASS SWITCH
93	4117.058	LED
94	4510.414	TERMINAL BOX
95	4117.669	MOBILE TERMINAL BOX
96	4240.13	CONTACTOR
97		THERMAL RELAY
98	4240.541	HOUR COUNTER GASKET
99	4240.540	ELECTRONIC CONTROLLER GASKET
100	4240.663	ELECTRONIC CONTROLLER
101	4240.416	HOUR COUNTER
102	4240.778	FRONT LABEL
103	4240.538	POWER CORD
104	4514.728	BELT GRILLE
105	4514.727	LATERAL GRILLE
106	4514.329	BELT PULLEY
107	4514.306	BELT
108	4514.331	PULLEY COUPLING
109	4514.307	MOTOR PULLEY
110	4514.333	MOTOR PULLEY COUPLING
111	4518.110	BELT CARTER
112	4518.113	MOTOR SUPPORT
113	4240.254	REAR MOTOR CARTER
114	5269.301	MOTOR
115	4240.256	FRONT MOTOR CARTER
116	4514.839	MOTOR ADJUSTABLE FOOT